



TRIAD®

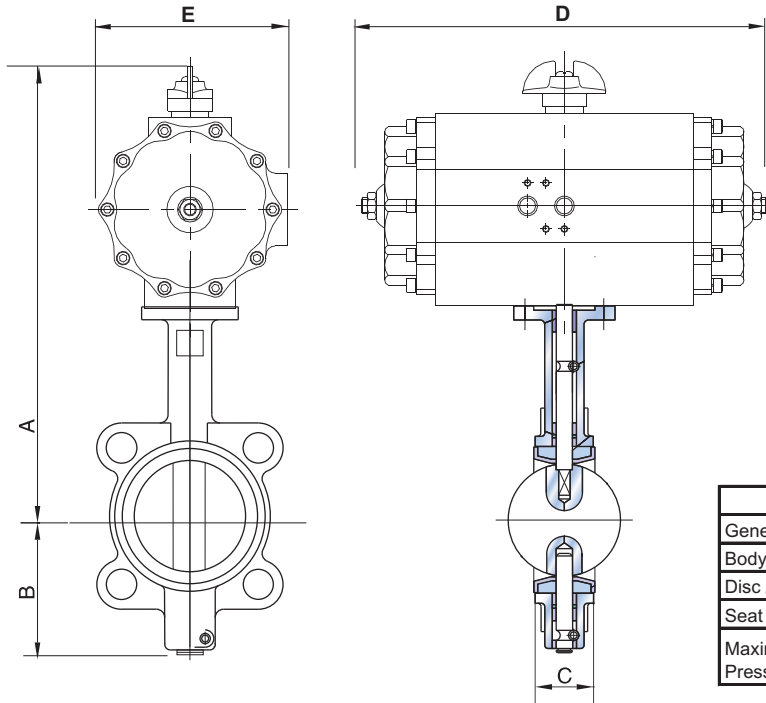
AUTOMATED VALVE ASSEMBLY

SERIES 700

PNEUMATIC WAFER BUTTERFLY VALVE
 SPRING RETURN ELASTOMER SEATS

TRIAD VALVE AUTOMATION
 www.triadprocess.com
 email: sales@triadprocess.com
 248.685.9938

700



| TECHNICAL SPECIFICATIONS | | |
|--------------------------|----------------------|----------|
| General | IRON BUTTERFLY VALVE | |
| Body | Ductile Iron | |
| Disc / Stem | 316SS/ 17-4SS | |
| Seat | EPDM / BUNA | |
| Maximum Pressure | Valve | Actuator |
| | 225 PSIG | 120 psig |

Actuator sized for 80 psig air supply. Valve sized for 150 psig line pressure, 100 psig for 14" and 16"

| SIZE | A | B | C | D | E | ACTUATOR | Cv | Wt.(lbs) | Assembly # | |
|--------|-------|-------|------|-------|-------|-----------|-------|----------|------------|--------|
| | | | | | | | | | EPDM | Buna N |
| 2" | 11.58 | 3.15 | 1.75 | 8.43 | 4.37 | AS-008-16 | 135 | 13.00 | 71045 | 71056 |
| 2 1/2" | 12.13 | 3.50 | 1.87 | 8.43 | 4.37 | AS-008-16 | 220 | 14.55 | 71046 | 71057 |
| 3" | 12.37 | 3.74 | 1.87 | 8.43 | 4.37 | AS-008-16 | 302 | 15.43 | 71047 | 71058 |
| 4" | 13.81 | 4.49 | 2.13 | 9.41 | 5.24 | AS-012-16 | 600 | 20.70 | 71048 | 71059 |
| 5" | 14.33 | 5.00 | 2.25 | 11.22 | 5.24 | AS-020-16 | 1022 | 28.63 | 71049 | 71060 |
| 6" | 16.73 | 5.47 | 2.25 | 13.39 | 6.65 | AS-040-16 | 1579 | 49.10 | 71050 | 71061 |
| 8" | 18.07 | 6.89 | 2.50 | 13.39 | 6.65 | AS-040-20 | 3136 | 52.31 | 71051 | 71062 |
| 10" | 21.90 | 7.99 | 2.75 | 16.73 | 8.27 | AS-100-20 | 5340 | 83.05 | 71052 | 71063 |
| 12"* | 28.10 | 9.53 | 3.12 | 21.14 | 9.13 | AS-200-20 | 8250 | 159.65 | 71053 | 71064 |
| 14"* | 31.85 | 10.52 | 3.12 | 18.11 | 12.01 | AS-250-40 | 11917 | 243.80 | 71054 | 71065 |
| 16"* | 33.15 | 12.17 | 3.41 | 26.38 | 12.01 | AS-370-20 | 16388 | 307.60 | 71055 | 71066 |

Actuator sized for 60 psig air supply. Valve sized for 150 psig line pressure, 100 psig for 14" and 16"

| SIZE | A | B | C | D | E | ACTUATOR | Cv | Wt.(lbs) | Assembly # | |
|--------|-------|-------|------|-------|-------|-----------|-------|----------|------------|--------|
| | | | | | | | | | EPDM | Buna N |
| 2" | 11.58 | 3.15 | 1.75 | 8.43 | 4.37 | AS-008-12 | 135 | 13.00 | 71067 | 71078 |
| 2 1/2" | 12.13 | 3.50 | 1.87 | 8.43 | 4.37 | AS-008-12 | 220 | 14.55 | 71068 | 71079 |
| 3" | 12.37 | 3.74 | 1.87 | 8.43 | 4.37 | AS-008-12 | 302 | 15.43 | 71069 | 71080 |
| 4" | 13.81 | 4.49 | 2.13 | 11.22 | 5.24 | AS-020-12 | 600 | 24.00 | 71070 | 71081 |
| 5" | 15.83 | 5.00 | 2.25 | 10.91 | 6.65 | AS-030-12 | 1022 | 33.03 | 71071 | 71082 |
| 6" | 17.96 | 5.47 | 2.25 | 14.72 | 7.68 | AS-060-16 | 1579 | 49.10 | 71072 | 71083 |
| 8" | 19.93 | 6.89 | 2.50 | 16.73 | 8.27 | AS-100-16 | 3136 | 86.30 | 71073 | 71084 |
| 10" | 21.54 | 7.99 | 2.75 | 17.52 | 9.13 | AS-140-20 | 5340 | 102.33 | 71074 | 71085 |
| 12"* | 30.66 | 9.53 | 3.12 | 18.11 | 12.01 | AS-250-34 | 8250 | 192.85 | 71075 | 71086 |
| 14"* | 31.85 | 10.52 | 3.12 | 26.38 | 12.01 | AS-370-16 | 11917 | 264.25 | 71076 | 71087 |
| 16"* | 33.15 | 12.17 | 3.41 | 26.38 | 12.01 | AS-370-16 | 16388 | 309.40 | 71077 | 71088 |