



dynaBLEND[®]
Liquid Polymer Blending Systems

Announcing the
new compact

miniBLEND

features

- Lightweight and portable
- Manual or automatic pump speed control
- Choice of diaphragm, peristaltic or remote mounted neat polymer metering pump
- 304 stainless steel frame and mixing chamber
- Reliable, non-mechanical mixing chamber
- Lowest operating cost, most reliable polymer feeders in the industry

WATER SUPPLY PRESSURE

Water supply must be able to provide the maximum flow rate at 35 psi (240 kPa) greater than the pressure at feeder discharge.

OPERATING PRESSURE

100 psi maximum (689 kPa)

DIMENSIONS

18" D (457 mm) x 24" W (610 mm) x 40" H (1016 mm)

WEIGHT

100 lbs. (45 kg.)

POWER REQUIREMENT

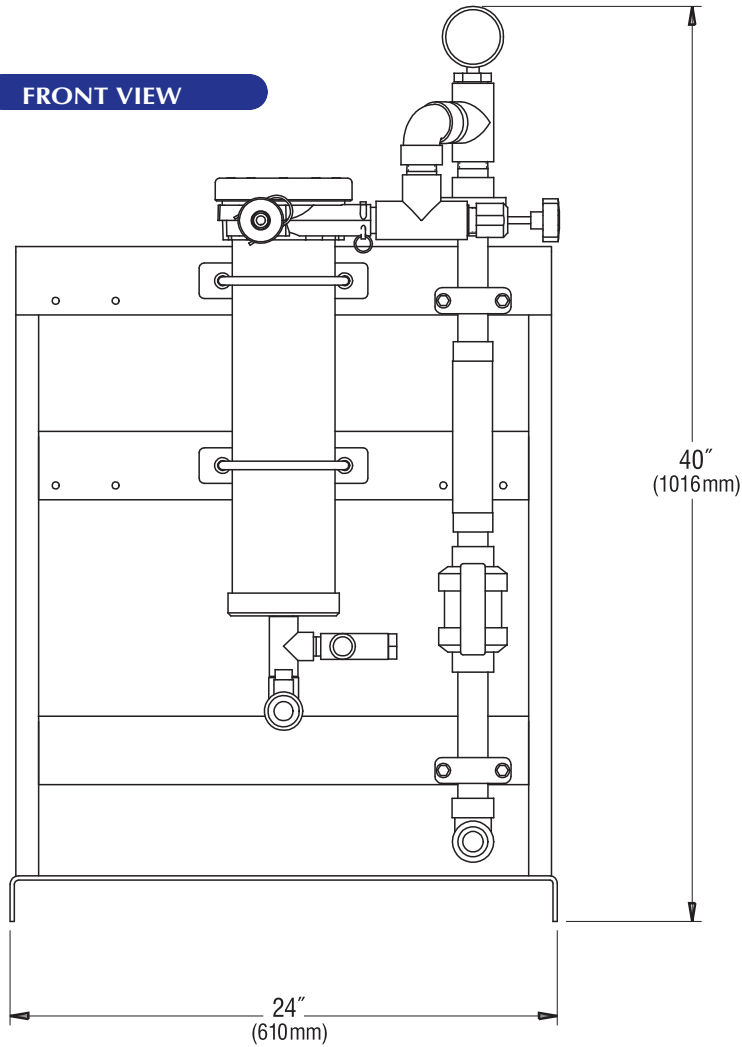
120 VAC, 5-Amp (0.6 kW)



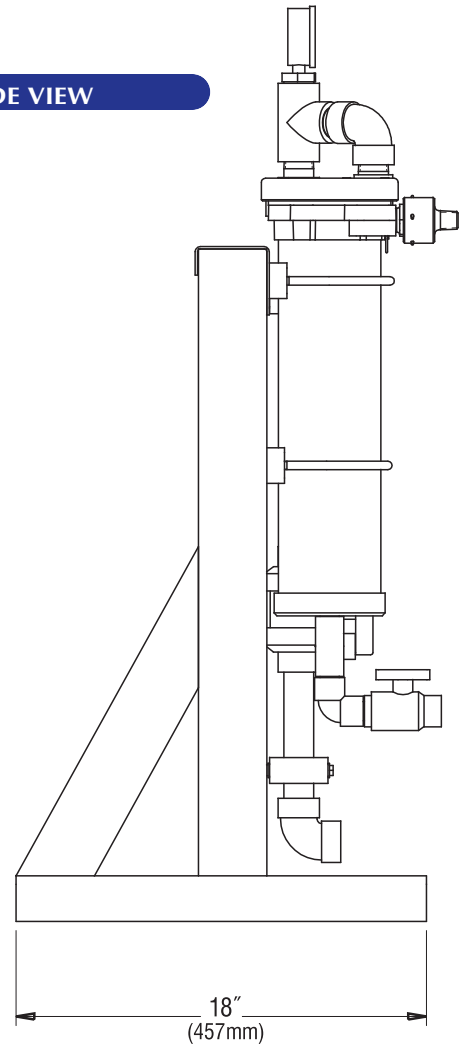

Fluid Dynamics
A Division of
Neptune Chemical Pump Company

series L4S specifications

FRONT VIEW



SIDE VIEW



SERIES	DILUTION WATER
L4S-120	12- 120 GPH (45- 454 LPH)
L4S-300	30- 300 GPH (113-1136 LPH)
L4S-600	60- 600 GPH (227-2271 LPH)
L4S-1200	120-1200 GPH (454-4543 LPH)

DIA. PUMP	POLYMER RANGE
0.4D	0.02-0.4 GPH (0.08-1.5 LPH)
1.0D	0.05-1.0 GPH (0.19-3.8 LPH)
2.5D	0.13-2.5 GPH (0.38-9.4 LPH)
4.5D	0.23-4.5 GPH (0.75-17.0 LPH)
8.0D	0.40-8.0 GPH (1.50-30.0 LPH)



A Division of
Neptune Chemical Pump Company

Fluid Dynamics • 295 DeKalb Pike • North Wales, PA 19454
Tel: 215-699-8700 • Toll-Free Tel: 888-363-7886
Fax: 215-699-0370 • Toll-Free Fax: 800-255-4017

www.dynablend.com

© 2011 Fluid Dynamics All Rights Reserved Bulletin mB-11 Printed in U.S.A.

