

FM1100C SERIES ULTRASONIC LEVEL METER

Economical ultrasonic level meter combines easy installation with high accuracy.



Constructed of corrosion resistant polypropylene, the unique twist-on collar makes installation and removal a breeze.

FM1100C FEATURES

- Two ranges: 20ft (6m) or 33ft (10m)
- Accuracy of 0.2% with 1mm resolution
- Easy to install 2" NPT fitting
- Loop powered 4-20mA (max 750 Ω)
- 5 digit numeric LCD display
- Integral 5 button keypad
- 4 status lights
- Built-in temperature compensation sensor

DESCRIPTION

The FM1100C Series is designed to measure liquid level in a wide variety of applications.

The compact, loop-powered FM1100C provides continuous, non-contacting level measurement. Two available measuring ranges accommodate 20ft (6m) and 33ft (10m) applications.

The large LCD display, 4 status lights and 5 button keypad make setup and operation quick and easy.

FLUIDS

- | | |
|--------------|---------------|
| • Acids | • Dyes |
| • Bases | • Glue |
| • Wastewater | • Sludge |
| • Juices | • River Water |
| • Pastes | • Paper Stock |
| • Slurries | • Wine |
| • Water | |

APPLICATIONS

- Bulk Chemical Storage
- Pump Stations
- Clarifiers
- Filtration Levels
- River Level Monitoring
- Trash Rack Level Monitoring
- Waste Sump
- Tanker Truck Filling
- Water Storage Towers
- Reactors

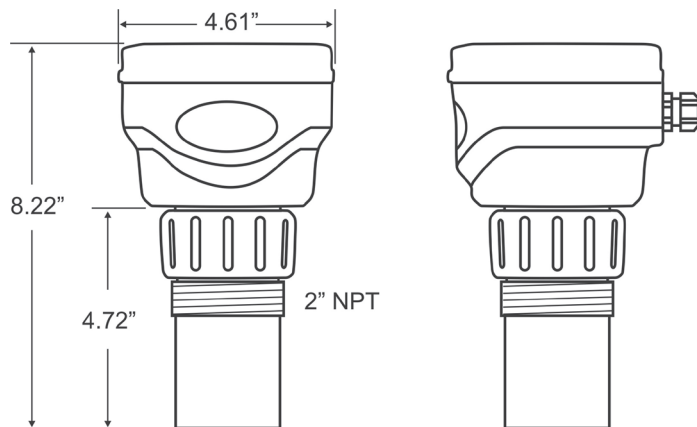
ULTRASONIC LEVEL



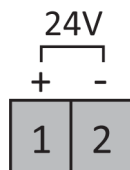
FM1100C SERIES ENGINEERING SPECIFICATIONS

Dimensions:	4.61in D x 8.22in H (117mm Dx208mm H)
Process Connection:	2" NPT
Weight (nominal):	3.3 lbs (1.5Kg)
Sensor Material:	Polypropylene
Protection Rating:	NEMA 6 (IP67)
Temperature:	-4° to 185°F (-20° to 85°C)
Pressure:	Up to 29 psi (2 Bar)
Maximum Range:	20ft or 33ft (6m or 10m)
Accuracy:	0.2% of measured range
Resolution:	0.039" (1mm)
Beam Angle:	8° at -3dB (from the Axis)
Damping Rate:	0.006 to 5.48 fps (adjustable) (0.1m/min to 100m/min)
Temp. Compensation:	Built-in temperature sensor
Analog Output:	4-20mA into max 750Ω load. 3.8mA or 21mA Fault alarm.
Display:	5 Digit Numeric LCD, 4 status LEDs
Power Supply:	DC 18~30V at less than 21mA
Certification:	CE

DIMENSIONS



WIRING



- V+ (1) : Direct current (DC) input terminal (18-30VDC)
- IO (2) : Current Output terminal (4-20mA)

FLOMOTION SYSTEMS Inc.
165 Creekside Drive, Suite 112
Buffalo NY 14228
Tel: 716-691-3941
Fax: 716-691-1253
Email: info@flomotionsystems.com
www.flomotionsystems.com

