

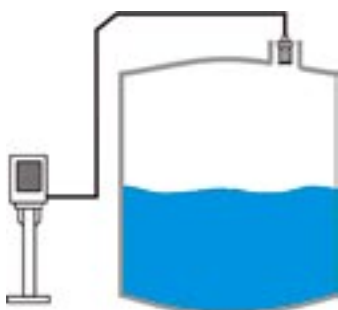
FLOMOTION 1100

ULTRASONIC LEVEL MONITORS



FEATURES

- Programmable analog output
- Menu driven programming
- 5 SPDT relays for alarms and external control
- RS-485 or RS232C digital output (optional)
- Explosion-proof sensor
- Weather resistant and safe against submersion (NEMA 6)
- Automatic temperature compensation
- Available with Hart™ or Modbus™ communication protocols



Typical Installation

DESCRIPTION

The FLOMOTION 1100 with S400 or S260 sensor provides non-contacting level measurement for a wide variety of applications in both liquids and solids. The Sondar 1000 system is composed of an ultrasonic sensor and a remote mounted controller for maximum flexibility. Easy calibration and maintenance-free performance mean that you can install the 1100 Series rapidly and with confidence.

The FLOMOTION 1100 is ideally suited for a wide range of measurement applications such as wastewater pump stations, wet wells, ponds/reservoirs and chemical storage tanks.

SPECIFICATIONS

- Measurement Range:
 - 1.2 to 26.3' (S260 sensor)
 - 1.6 to 40 ft (S400 sensor)
- Accuracy:
 - 0.25% of measured range (S260 sensor)
 - 0.35% of measured range (S400 sensor)
- Resolution:
 - 0.05 in.

Dimensions

- Controller:
 - 9.5(D) x 7.3(H) in.
- Transducer:
 - 2.6(D) x 6.3(H) in. (S260)
 - 3.5(D) x 3.9(H) in. (S400)
- Transducer Mounting:
 - 3/4" NPT (S260)
 - 1" NPT (S400)
- Cable Length: 33 ft (650 ft max.)

Environmental

- Sensor Material: S260 PP, S400 PVC
- IP Rating: NEMA 6 (Sensor), NEMA 4X (Controller)
- Temperature: -4°F - 140°F; Sensor
-4°F - 140°F; Controller
- Pressure: Up to 30 PSI

Readout and Outputs

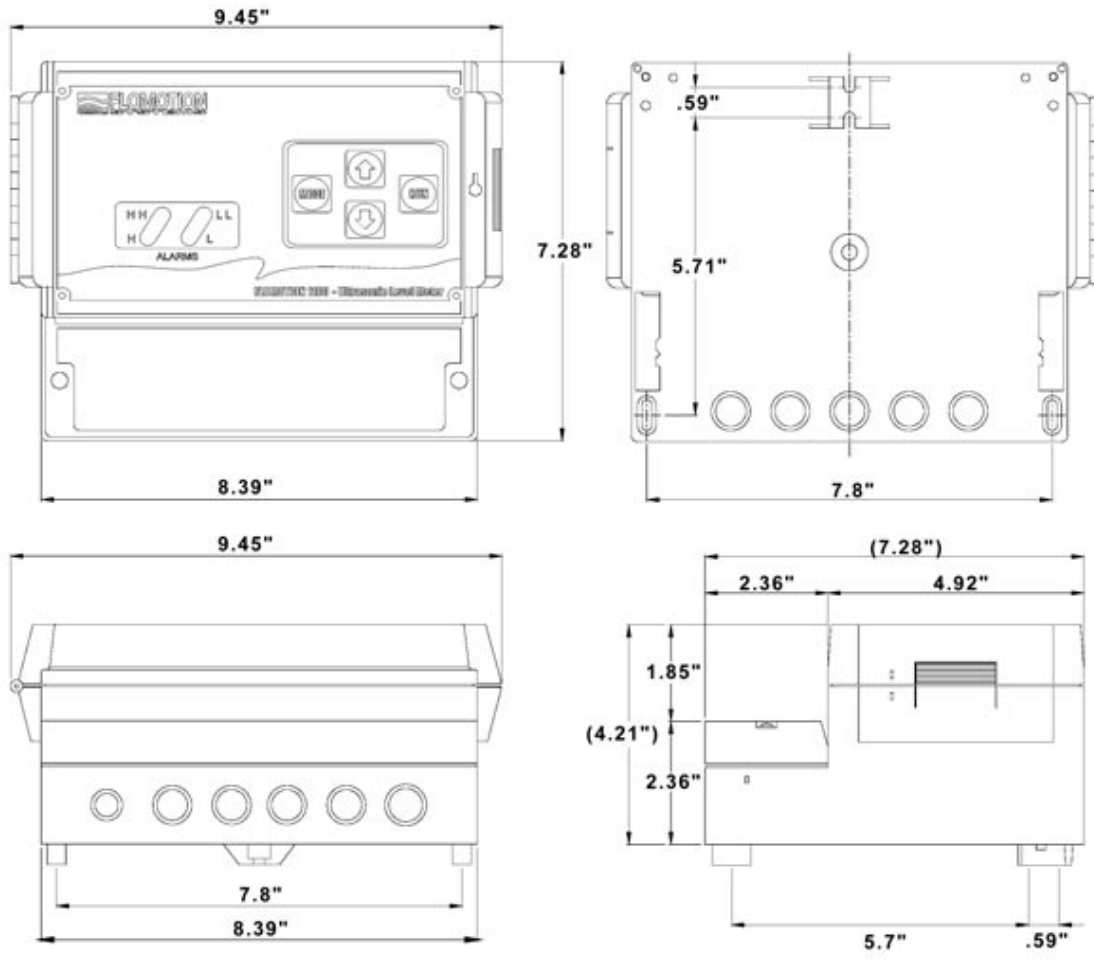
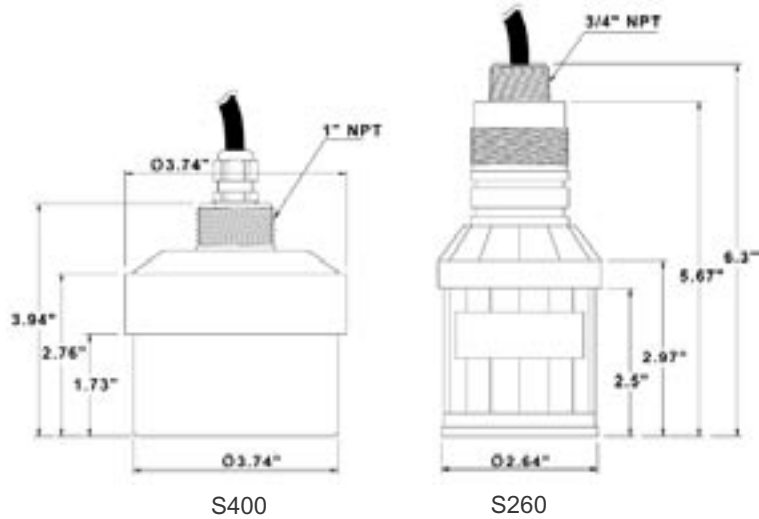
- Display: 2 line 40 characters LCD display
- Analog Output: 4-20mA into 750 ohms (max.)
- Relays: 5 SPDT, 5A, 250VAC

Supply

- Power Supply: 90-260VAC, Less than 15VA,
- DC12V or DC24V (Optional)

ULTRASONIC LEVEL MONITORS

FLOMOTION 1100, S400, S260 DIMENSIONS



FLOMOTION 1100

FLOMOTION SYSTEMS Inc.
 586 N. French Rd., Suite 6
 Buffalo NY 14228-2103
 Tel: 800-909-FLOW (3569)
 Tel: 716-691-3941
 Fax: 716-691-1253
 Email: info@flomotionsystems.com
www.flomotionsystems.com

